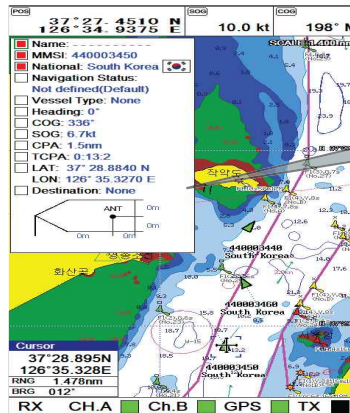


| Display Specifications |  |
|------------------------|--|
| Operating system       | Microsoft Windows  |
| Display screen         | 4.3 inch Color LCD with LED backlight (HIS-43A/43R)<br>5 inch Color LCD with LED backlight (HIS-50A/50R) |
| Power supply           | DC 12V~36V   |
| Operating Temperature  | Display Unit -15°C~+50°C<br>Antenna Unit -25°C~+70°C   |
| Performance Standard   | IMO Resolution MSC.112(73)   |
| Display Method         | Mercator projection  |
| Display Mode           | True motion/North up<br>Course-up/Head up  |
| Latitude Limits        | Between 85° N to 85° S   |
| Map Scale              | 0.05nm~500nm   |
| Map Datum              | WGS-84   |
| Waypoint               | 20,000 point   |
| Track Point            | 50,000 point   |
| Chart Data             | Built-in HY/C-MAP  |
| Output Data            | NMEA-0183  |
| Input Data             | NMEA-0183  |
| Alarm                  | Interval timer AIS(CPA, TCPA)  |

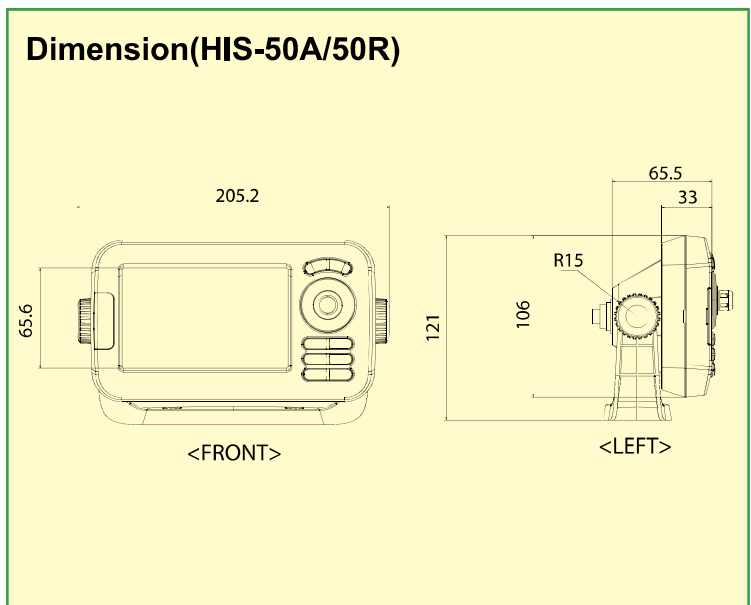
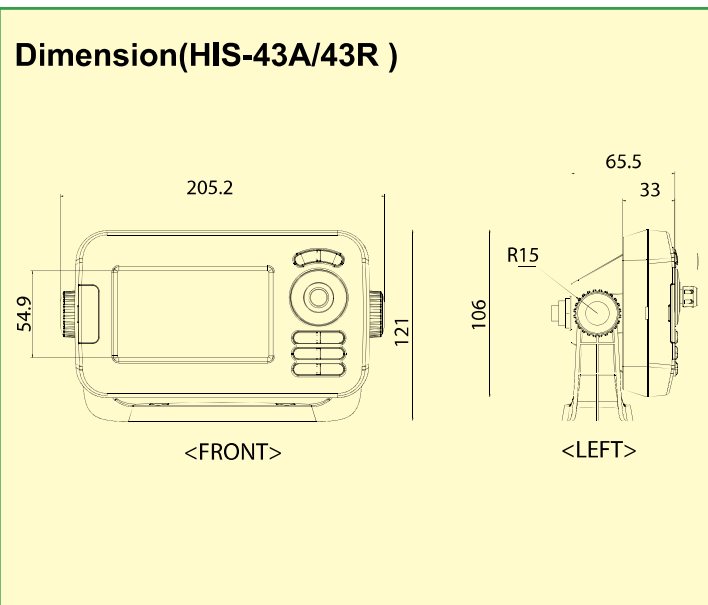
| GPS Specifications |   |
|--------------------|---|
| Receive Frequency  | L1 1575.42MHz(C/A)                      |
| Number of Channel  | Over 50 channel                         |
| Accuracy           | Position 2.5m CEP                       |
| Sensitivity        | Acquisition -140 dBm, Tracking -149 dBm |
| Data Update Rate   | 1 Second                                |

\* Marked available only in AIS Transponder(43A/50A)

| AIS Specifications       |   |
|--------------------------|---|
| Connector                | VHF ANT (PI-259)  |
|                          | GPS ANT (BNC)   |
| *Frequency               | 156.025MHz ~ 162.025MHz<br>- Default channel 88B, AIS(162.025MHz)<br>- Default channel 87B, AIS(161.975MHz) |
| Channel Spacing          | 25KHz   |
| Frequency stability rate | ±10PPM(-20°C ~ +60°C)   |
| *Data Rate               | 25kHz GMSK (AIS, TX and RX)<br>25kHz AFSK (DSC, RX only)  |
| *Sensitivity             | -107dBm(Message error rate : 20%)   |
| Display stats            | On, TX, RX1,RX2   |
| *Compliant with          | IEC62287-1 Class B , ITU-RM.1371-1,<br>IEC61162-1, EN-60945   |
| *Output power            | 2W(33dBm ± 1.5dB)   |
| Demodulation             | GMSK  |



AIS INFO Window



\*SPECIFICATIONS SUBJECT TO CHANGE WITHOUT NOTICE

Certified to ISO 9001/2000

**Haiyang OLIX CO., LTD.**  
103-903 Bucheon Technopark 364 Samjeongdong Ojeonggu  
Bucheon Gyeonggi, Korea  
Tel : +82 2 3274712 Fax: +82 32 3274713  
Web-site: <http://www.haiyang.co.kr>  
E-mail: [grifo@haiyang.co.kr](mailto:grifo@haiyang.co.kr)

04723H Printed in Korea