



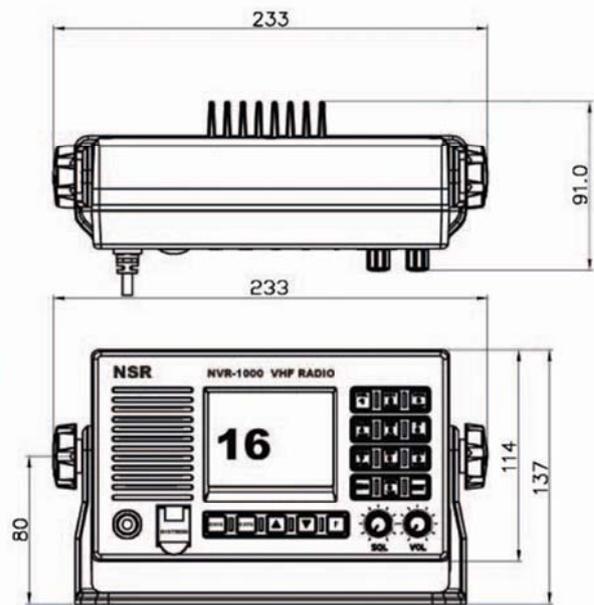
# NVR-1000 VHF RADIOTELEPHONE (Class A DSC)

NVR-1000 VHF RADIOTELEPHONE is a high performance VHF device, capable of voice communication and DSC (digital selective calling) facilities as well. Conforming to Class A standard set for VHF DSC by ITU and IMO regulation, NVR-1000 can be part of onboard GMDSS package for vessels of A1, A2 or A3. Output for (S) VDR is also available on NVR-1000. NVR-1000 conforms to the regulations of ITU-R M.493-11, IEC 61097-7, IEC 61097-3, IEC 60945.

## SPECIFICATIONS

- TX Frequency: 156.025~157.425 MHz
- RX Frequency: 156.050~163.275 MHz
- Working Channel: ITU (57)
- DSC Watch CH: CH70
- TX Power: 25W (high) / 1W (low)
- RX Sensitivity:  $\leq 2 \mu V$  (SINAD=20dB)
- Interface
  - GPS Input: RS422, 4800bps
  - VDR Output: 600  $\Omega$  balanced
  - Printer I/O: RS232, 4800bps
- Power Supply: 13.8VDC (max 5.5A)
- Size Dimension: 137mm×233mm×91mm (H×W×D)
- Weight: 1.5kg

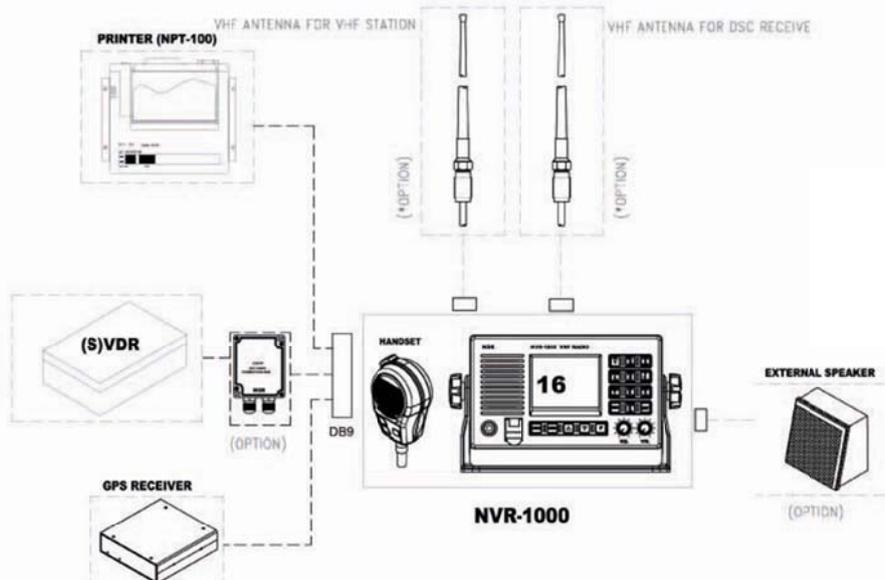
## SIZE DIMENSION



## EQUIPMENT LIST

- **STANDARD**
  - Transceiver 1 set
  - Handset 1 pc
  - Accessories 1 set
- **OPTIONS**
  - AC/DC PSU 1 set
  - VDR Connection Kit 1 pc
  - External Speaker 1 pc
  - VHF Antenna 2 pcs
  - Flush Mount Brackets 1 set

## SYSTEM DIAGRAM



※ Specifications subject to change without notice.